



STRUCTURAL CH5822

DISTRIBUTOR ASSEMBLY INSTRUCTIONS
USED ON DST 5700

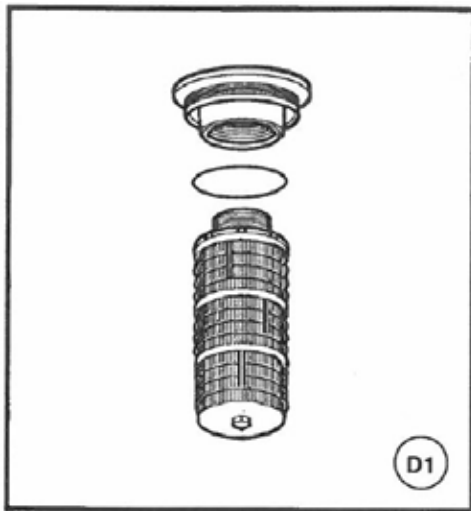
TOP STACK DIFFUSER SYSTEM 6" - 8" STRAIGHT THREAD

FRP TANKS

(21", 24", 30", 36") DIAMETER TANKS

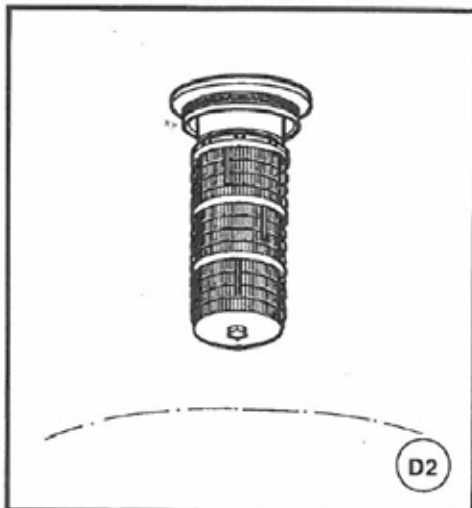
STEP 1

Assemble diffuser to closure and thread together clockwise.



STEP 2

Be sure o-ring is assembled and seated properly to closure, then assemble to tank with spanner wrench.



CALIFORNIA PROPOSITION 65 WARNING

⚠ WARNING: This product contains chemicals known to the State of California to cause cancer or birth defects or other reproductive harm.

For Structural Product Warranties visit: }
Structural para las garantías de los productos visite: } waterpurification.pentair.com
Pour Structural garanties produit visitez le site : }



WATER QUALITY SYSTEMS

5730 NORTH GLEN PARK ROAD, MILWAUKEE, WI 53209

P: 262.238.4400 | WATERPURIFICATION.PENTAIR.COM | CUSTOMER CARE: 800.279.9404 | tech-support@pentair.com

All Pentair trademarks and logos are owned by Pentair, Inc. or its affiliates. All other registered and unregistered trademarks and logos are the property of their respective owners. Because we are continuously improving our products and services, Pentair reserves the right to change specifications without prior notice. Pentair is an equal opportunity employer.

CH5822 REV B FE16 © 2016 Pentair Residential Filtration, LLC All Rights Reserved.