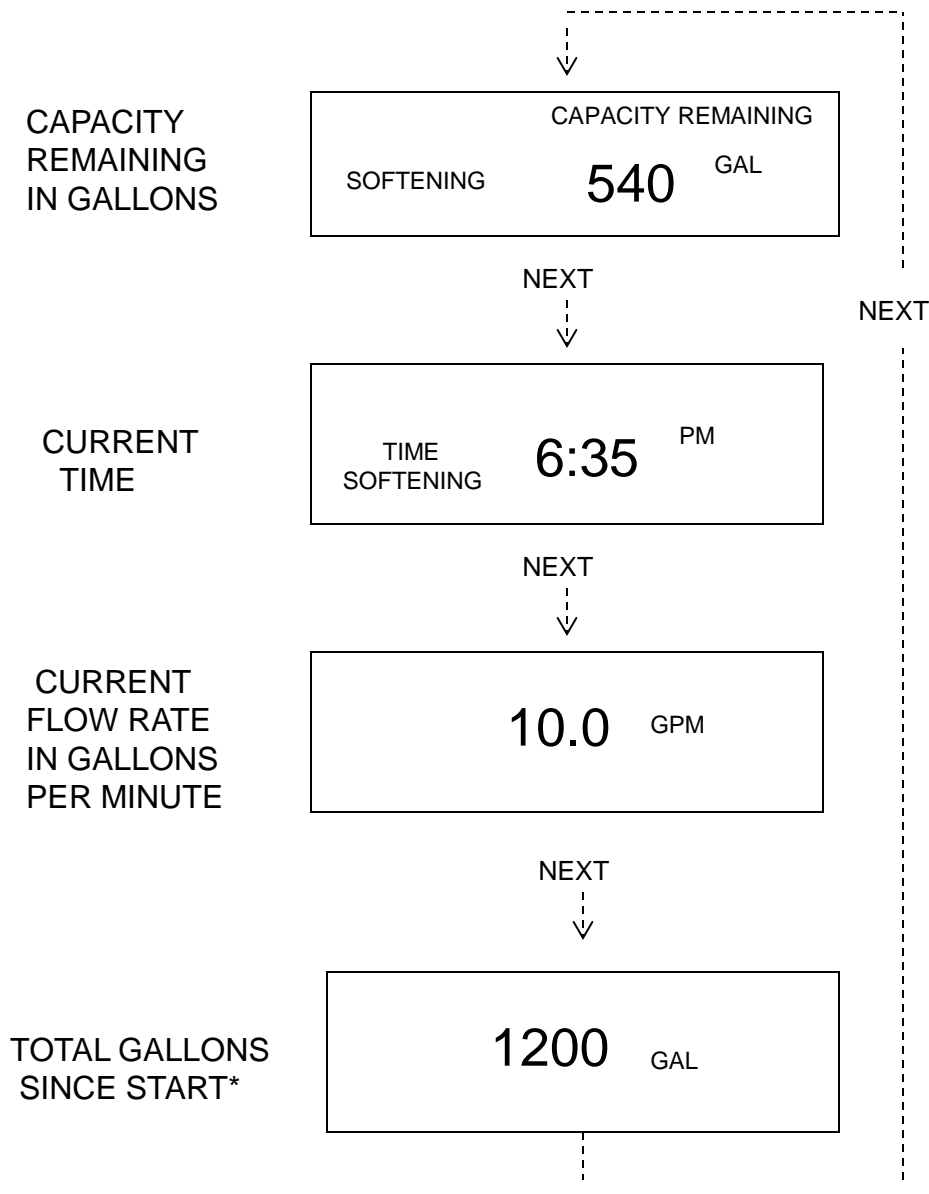


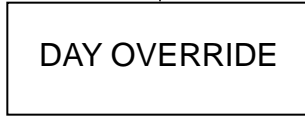
UltraPro MCA Ultrafilter With Autoflush

NORMAL VIEW



*RESET TO "0" BY PRESSING "CLOCK" AND "REGEN" FOR 3 SECONDS

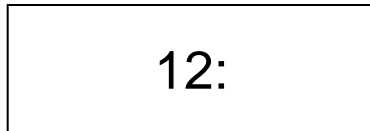
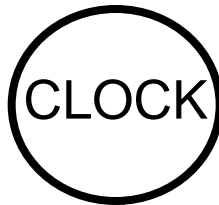
INSTALLER SETTINGS



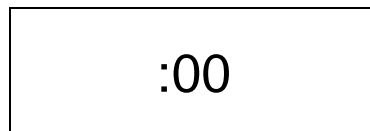
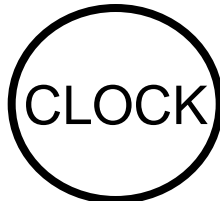
NEXT



SET TIME CLOCK



TO CHANGE TIME USE

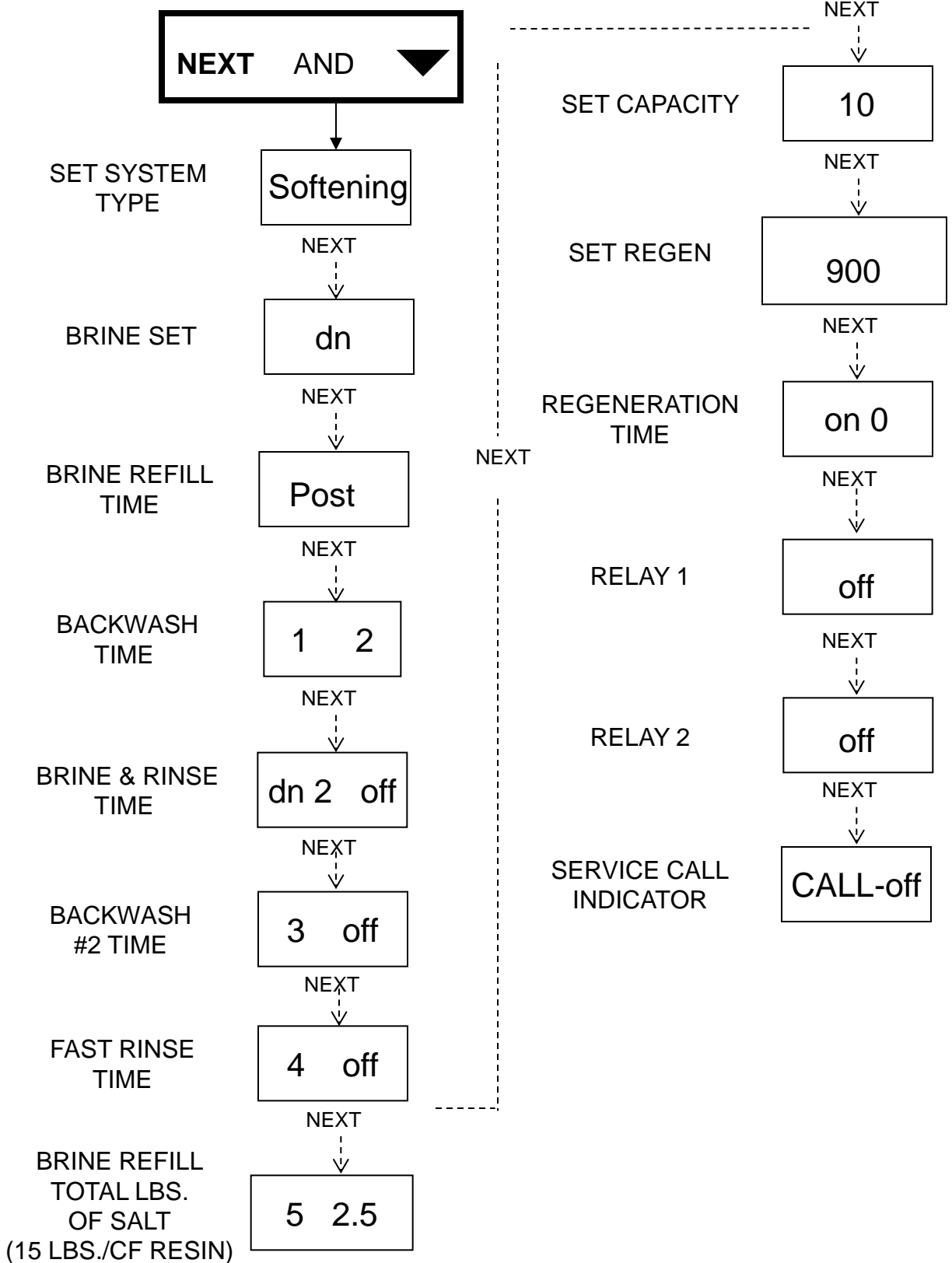


TO CHANGE TIME USE



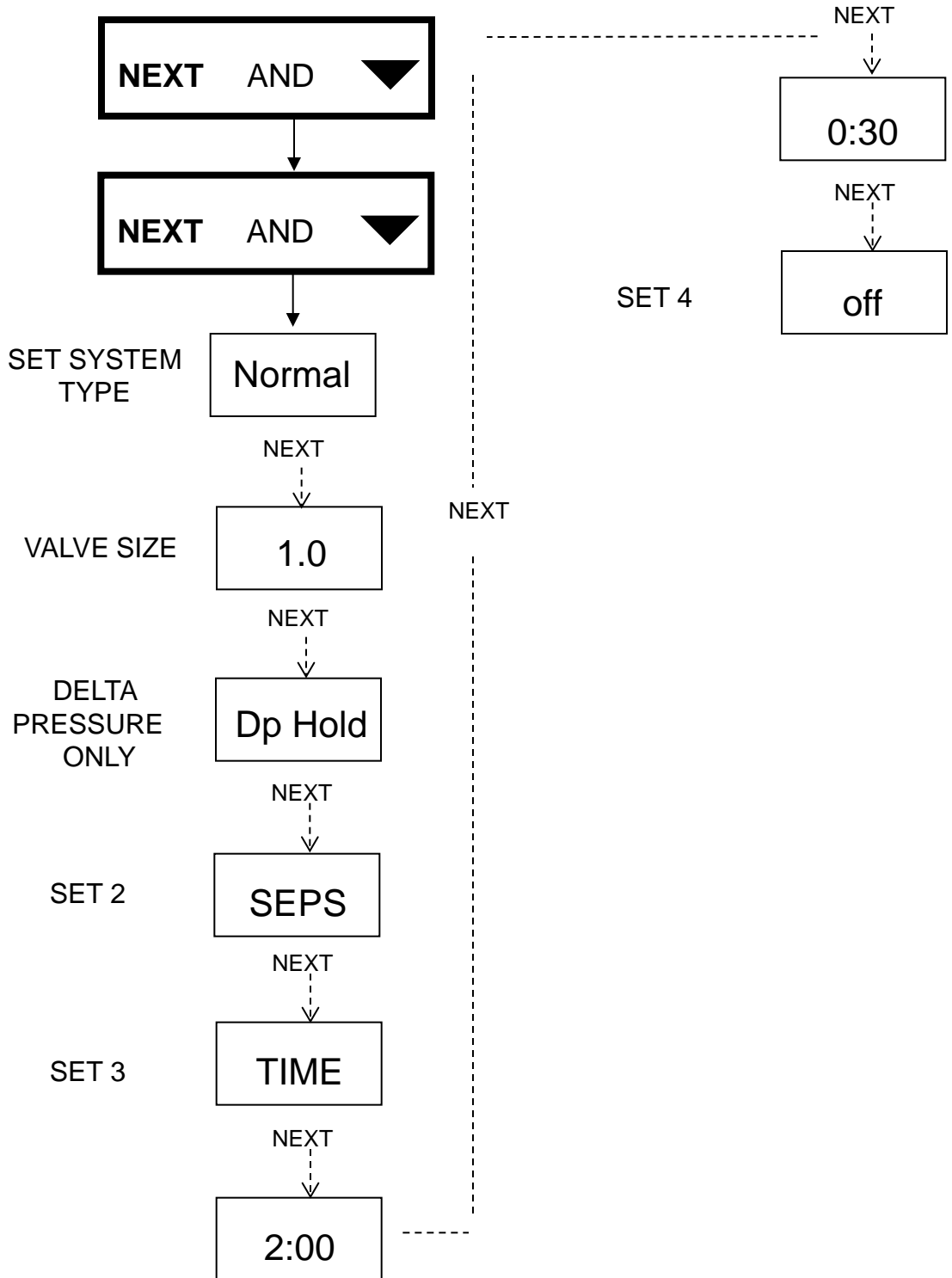
REFERENCE ONLY VALVE PROGRAMING

Valve A



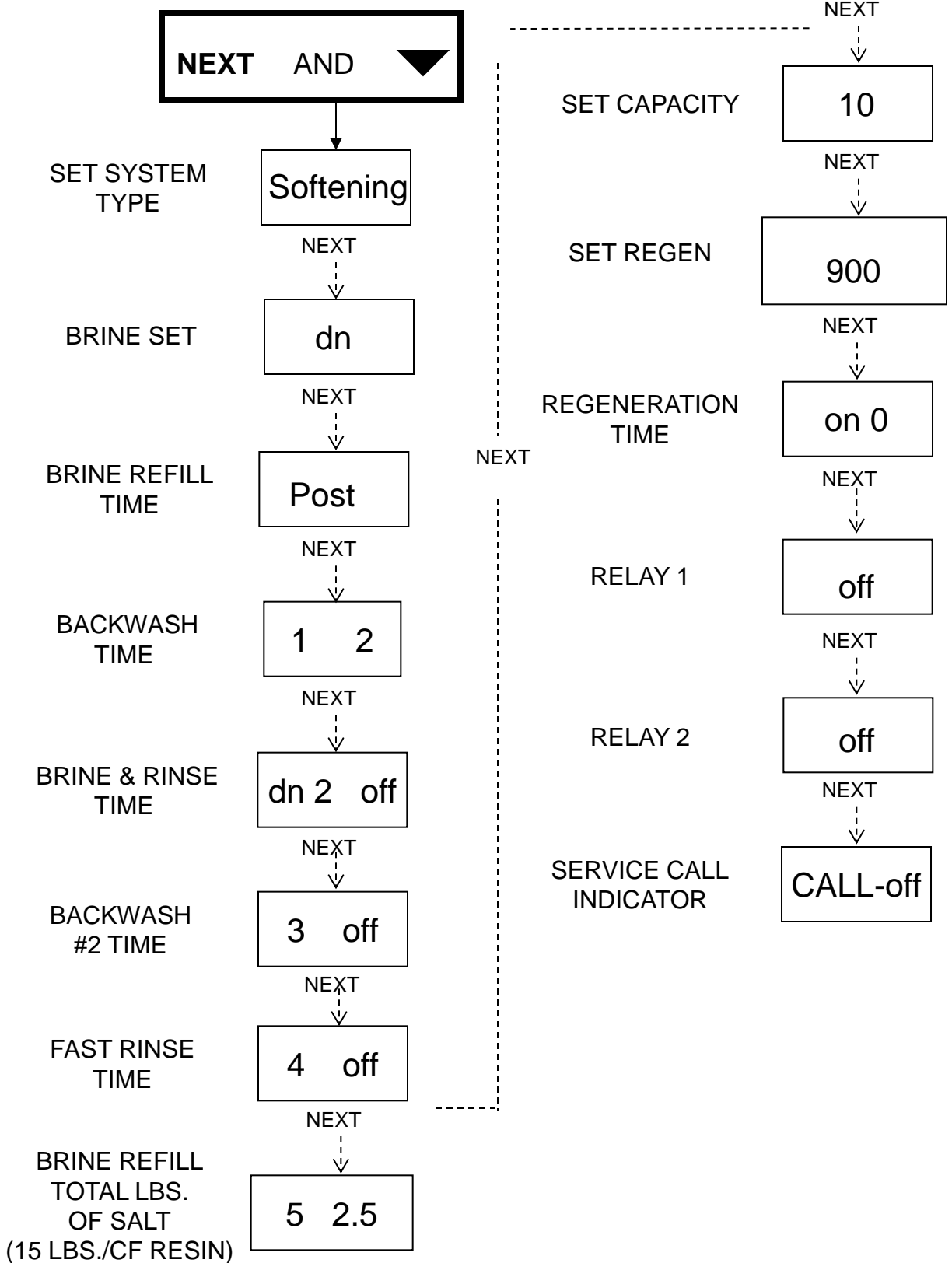
REFERENCE ONLY VALVE PROGRAMING

Valve A



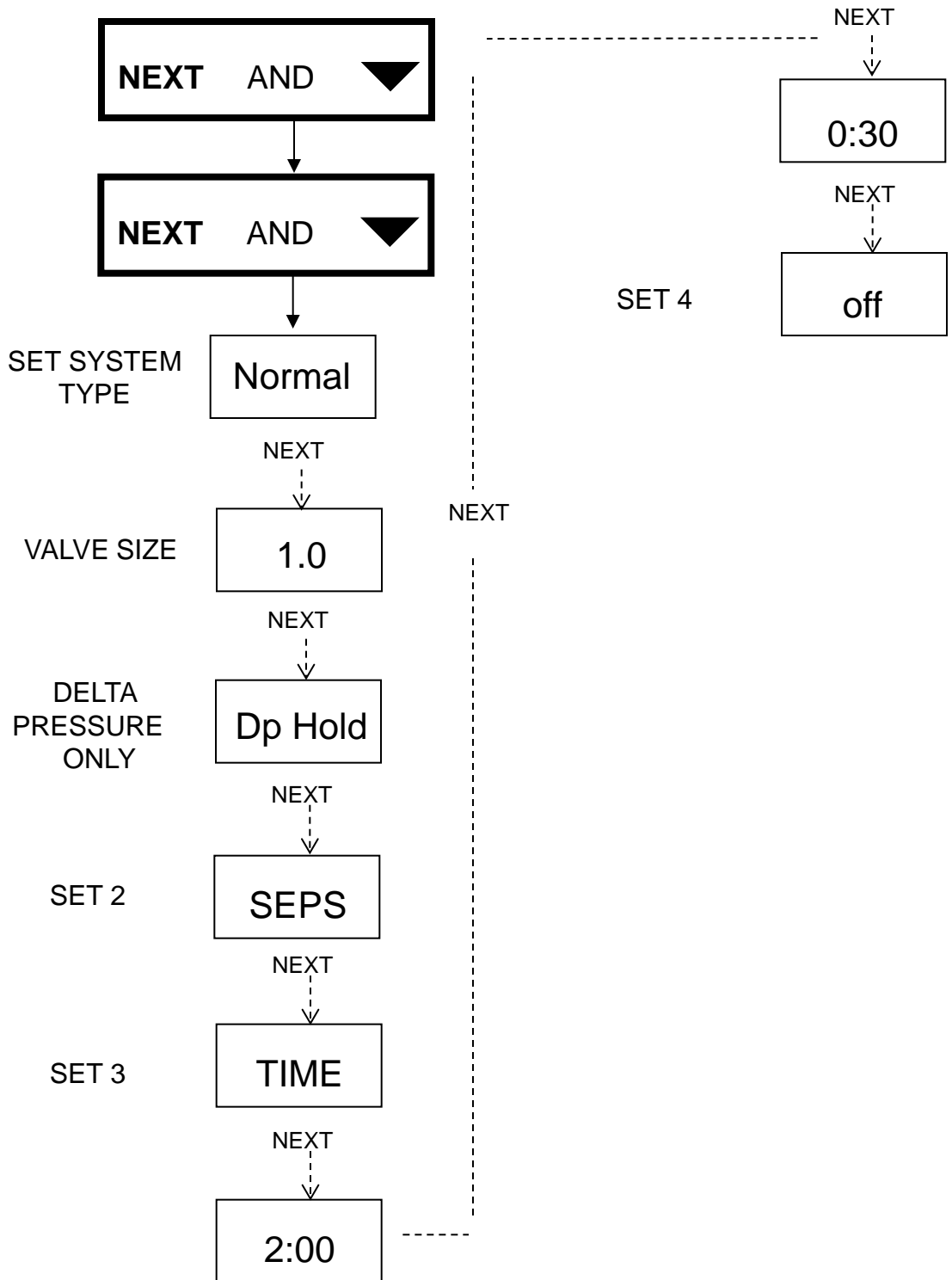
REFERENCE ONLY VALVE PROGRAMING

Valve B



REFERENCE ONLY VALVE PROGRAMING

Valve B



MANUAL REGENERATION

REGEN

PRESS ONCE FOR NEXT REGEN TIME
PRESS AGAIN TO CANCEL REGENERATION
PRESS AND HOLD FOR 3 SECONDS FOR IMMED
PRESS IN REGEN TO ADVANCE TO NEXT CYCLE

LOCKING SETTINGS

AFTER SETTING A VALUE...

LOCK/UNLOCK:



NEXT REGEN



(IN SEQUENCE)

MCA BOARD

VALVE HISTORY

DIAGNOSTICS



DAYS SINCE LAST REGENERATION

NEXT

GALLONS SINCE LAST REGENERATION

NEXT

RESERVE CAPACITY CALCULATED PER DAY IN GALLONS

NEXT

USAGE PER DAY IN GALLONS

NEXT

MAXIMUM FLOW RATE GPM

NEXT to EXIT



(3 SEC)



SOFTWARE VERSION

NEXT

MAXIMUM FLOW RATE SINCE START-UP IN GPM

NEXT

GALLONS TREATED SINCE START-UP (X1000)

NEXT

DAYS SINCE START-UP

NEXT

REGENS SINCE START-UP

NEXT

ERRORS SINCE START-UP

NEXT to EXIT

ERROR CODES

ERROR DESCRIPTIONS

(V3890MP-02 BOARD with 5800.0 Software)

101	UNABLE TO START. Control not sensing valve movement with motor output energized.
102	#1 MAV/Stager #1 MOTOR STALLED. Unable to find proper park position.
103	#1 MAV/Stager #1 MOTOR RAN TOO LONG. Unable to find proper park position.
104	#1 MAV/Stager #1 VALVE HOMING. Control unable to find the HOME position of the valve
106	#2 MAV/Stager #2 MOTOR RAN TOO LONG. Unable to find proper park position.
107	#2 MAV/Stager #2 MOTOR STALLED. Unable to find proper park position.
109	INVALID MOTOR STATE Control can no longer operate due to the detection of an invalid motor state.
116	#3 MAV/Stager #3 MOTOR RAN TOO LONG. Unable to find proper park position.
117	#3 MAV/Stager #3 MOTOR STALLED. Unable to find proper park position.
126	#4 MAV/Stager #4 MOTOR RAN TOO LONG. Unable to find proper park position.
127	#4 MAV/Stager #4 MOTOR STALLED. Unable to find proper park position.
201	INVALID REGEN STEP Control can no longer operate due to the detection of an invalid regeneration cycle step (Internal software error)
402	POWER DOWN MEMORY Control can no longer operate due to a <u>check sum error</u> for the operational data and status section memory
403	PROGRAM MEMORY Control can no longer operate due to a <u>check sum error</u> for the programming section memory
404	DIAGNOSTIC MEMORY Control can no longer operate due to a <u>check sum error</u> for the diagnostic section memory
405	HISTORY MEMORY Control can no longer operate due to a <u>check sum error</u> for the history section memory
406	CONTACT MEMORY Control can no longer operate due to a <u>check sum error</u> for the contact screen section memory.

- 407 STATUS RAM MEMORY FAILURE Control can no longer operate due to corrupted data detected in the operational and status section. Once generated the error mode is not entered nor an error display viewed.
Instead previous (<6 hours) data is used
- 408 DIAGNOSTIC RAM MEMORY FAILURE Control can no longer operate due to corrupted data detected in the diagnostic section. Once generated, the error mode is not entered nor an error display viewed.
Instead previous (<6 hours) data is used.
- 410 CONFIG DOWNLOAD Configurator file downloaded to the control was not originally uploaded from another control with the identical software.